

### Performance with bucket

Bucket capacity	0.8 m <sup>3</sup>
Bucket range	0.6 - 1.2 m <sup>3</sup>
Tipping load, straight (ISO 14397-1)	3801 kg
Tipping load, articulated at 40° (ISO 14397-1)	3151 kg
Rated operating capacity (ISO 14397-1)	1901 kg
Lift breakout force (ISO 14397-2)	48.80 kN
Lift capacity (ISO 14397-2)	36.90 kN

### Performance with pallet fork

Tipping load, straight (ISO 14397-1)	2910 kg
Tipping load, articulated at 40° (ISO 14397-1)	2451 kg

### Engine

Model	2.4L BOBCAT ENGINE
Compliancy	STAGE V
Cooling	Liquid
Fuel	Diesel
Power at 2600RPM (ISO 14396):	50.7 kW

### Weights

Operating weight, standard (ISO 6016)	5091 kg
Shipping weight, standard (ISO 6016)	4674 kg
Max front axle load	6000 kg
Max rear axle load	6000 kg

### Hydraulic System

System Relief @ Quick Couplers	20.5 MPa
Auxiliary Std Flow	75.40 L/min
Auxiliary High Flow	103.50 L/min

### Drive System

Main Drive	Proportionally regulated hydrostatic motor
Transmission	Hydrostatic with electronic regulation

### Controls

Vehicle steering	Machine articulation via hydraulic steering with steering wheel
Travel Direction	Travel direction switch (F-N-R) on joysticks. Drive pedal in work and travel mode.
Machine hydraulics	Dual axis joystick for lift and tilt and auxiliary
Vehicle braking	Combination of integrated 6 dry brake disk in rear axle with hydrostatic braking effect provision

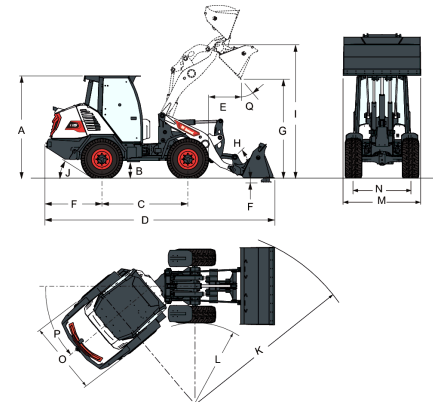
### Standard Features

Advanced Attachment Controls	Radio Ready
7-pin attachment control	Rear View Camera
Bobcat Telematics Europe	Road Lights Halogen
Bucket Level Indicator	2 speed 20km/h
Brakes Standard	Standard-flow auxiliary hydraulics
Automatic parking brake	Wax Coat Treatment
Cloth Suspension Seat	Wheels 405/70 R18
Deluxe pressurized cab with heating	Work Lights LED
Differential Lock	12 V power outlet
Key Ignition with Password	USB Charger
Power Quicktach	Warranty: 24 months or 2000 hours (whichever occurs first)

### Options

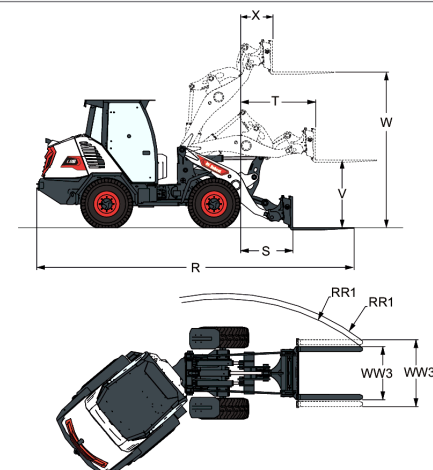
Automatic Ride Control	Road Lights LED
Beacon	Road Package
Brakes German	2 speed 30km/h
Deluxe pressurized cab with HVAC	Wheels 335/80 R18
Fire Extinguisher	Wheels 365/70 R18
High-flow auxiliary hydraulics	Wheels 405/70 R20

### Dimensions



(A)	2497.7 mm	(J)	33.4°
(B)	427.0 mm	(K)	3829.8 mm
(C)	2100.0 mm	(L)	1985.6 mm
(D)	5452.7 mm	(M)	1900.0 mm
(E)	686.0 mm	(N)	1393.0 mm
(F)	100.0 mm	(O)	1800.0 mm
(G)	2507.5 mm	(P)	40.0°
(I)	3250.0 mm	(Q)	45.0°

### Dimensions - Pallet fork



(R)	5979.4 mm	(V)	1374.0 mm
(RR1)	4262 - 4472.6 mm	(W)	3100.0 mm
(S)	795.9 mm	(WW3)	773.6 - 1313.6 mm
(T)	1277.7 mm	(X)	441.9 mm